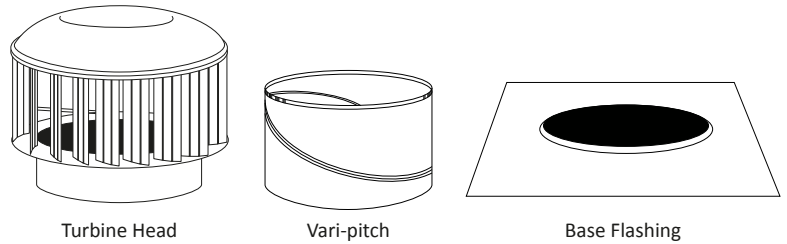


VENTILATOR COMPONENTS

The Roofquip straight vane Ventilator consists of these components: Turbine Head, Vari-pitch and Base Flashing.

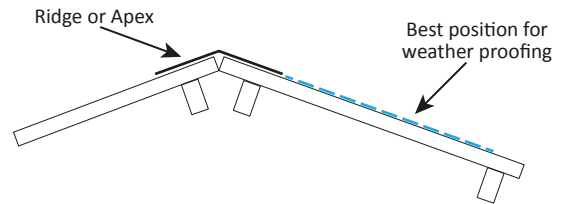
Set out below are stepwise installation instructions.



STEPWISE INSTALLATION INSTRUCTION

Step 1

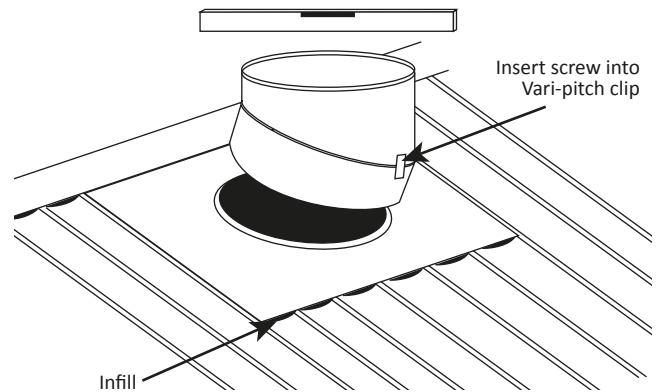
Select the appropriate positions on the roof as referred to in (fig.1): place the base flashing under the ridge capping. Note: when selecting the position of the vent, the means of weather proofing needs to be taken into account, the most efficient means is to locate the flashing under the ridge cap.



For ventilators that are larger than 600mm extra support may be required. Please refer to The Metal Roofing Code of Practice for information.

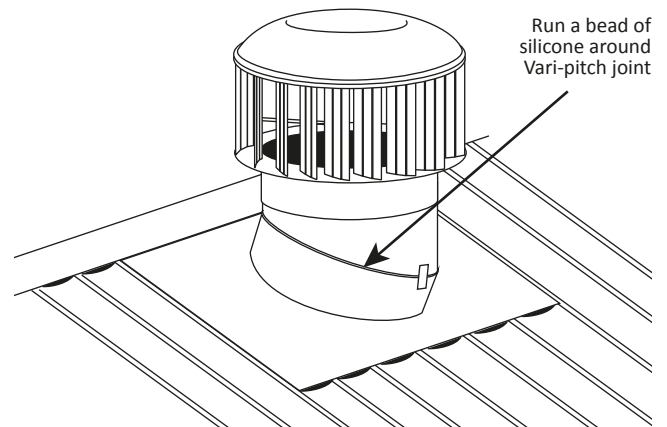
Step 2

Ensure that the Base Flashing covers the corrugations or ribs equally, then mark a circle using the Base Flashing as a template. Cut hole. Once the hole has been cut, turn up the corrugations or pans and secure the Base Flashing to the roof. It is recommended that an infill be used on the low side of the Base Flashing. Coat all fasteners with silicone to insure they are weatherproof.



Step 3

When a Vari-pitch is being used, sit the Vari-pitch on the flashing and rotate the top and bottom halves until the top of the Vari-pitch is horizontal, it is recommended that a level be used. Secure the two halves of the Vari-pitch by inserting self tapping screws into the Vari-pitch clips. Run a bead of silicone around the inside of the Vari-pitch seam.



Step 4

Place the Vari-pitch on the Base Flashing and double check the level. Fix the Vari-pitch to the Base Flashing (for number of fasteners see table 1).

Step 5

Fit the Turbine Head to the Vari-pitch. Check that it is level and adjust by tilting if necessary. Fasten the Turbine Head to the top of the Vari-pitch (for the number of fasteners see table 1).

Table 1 - Minimum number of fasteners

Unit Size (mm)	Turbine Head to Vari-pitch	Vari-pitch to Flashing	Flashing to Roof (locate 4 close to Var-pitch)
150	3	3	8
300	5	5	10
600	8	8	16
900	8	8	20

Either 10 gauge 16mm tek screw with neo or 4-3 blind rivets are recommended. When rivets are used apply silicone over the rivets to seal.

DISCLAIMER: Roofquip Ltd cannot hold any responsibility for the installation of Ventilators.

Installation should be done by a qualified roofing contractor. Please refer to The Metal Roofing Code of Practice for information.