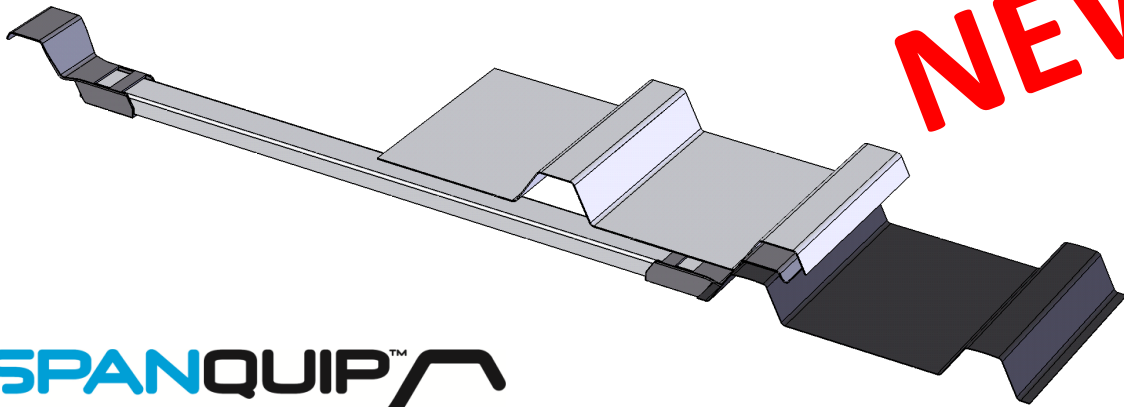


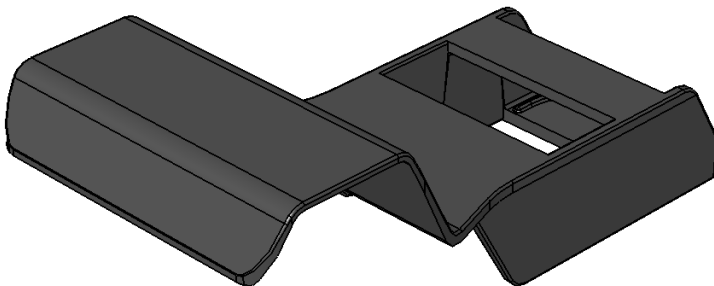


MID-SPAN SUPPORT BARS



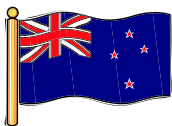
A REVOLUTIONARY MID-SPAN SUPPORT BAR

FOR NEW ZEALAND'S MAJOR COMMERCIAL ROOFING PROFILES



**Now Available**

**15 YEAR WARRANTY**



NZ Pat. App 592982 NZ Reg. Des. App 414922

[www.roofquip.co.nz](http://www.roofquip.co.nz)

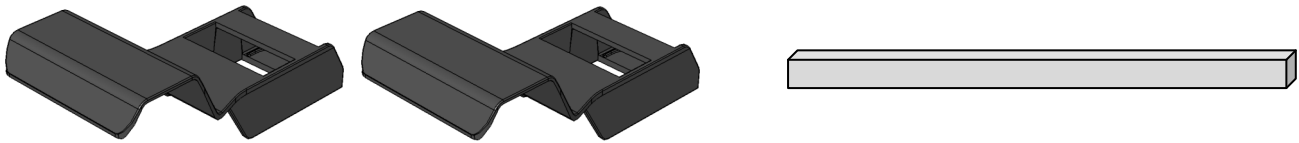
- Faster to install
- Easier to use
- A more accurate fit
- No burs to cause damage
- Reduces on-site labour
- Faster delivery to site
- Strong and robust
- Consistent quality control
- Made in New Zealand

**Phone 03 5795086**

## One Spanquip™ Bar includes:

Two profile specific UV resistant plastic brackets, and a 0.75 gauge metal connector bar which is supplied cut to length, to match the translucent roofing being used.

To install, simply insert the brackets onto each end of the bar and place into position on the roof. Fix as normal.



## 3 Simple Steps to Order:

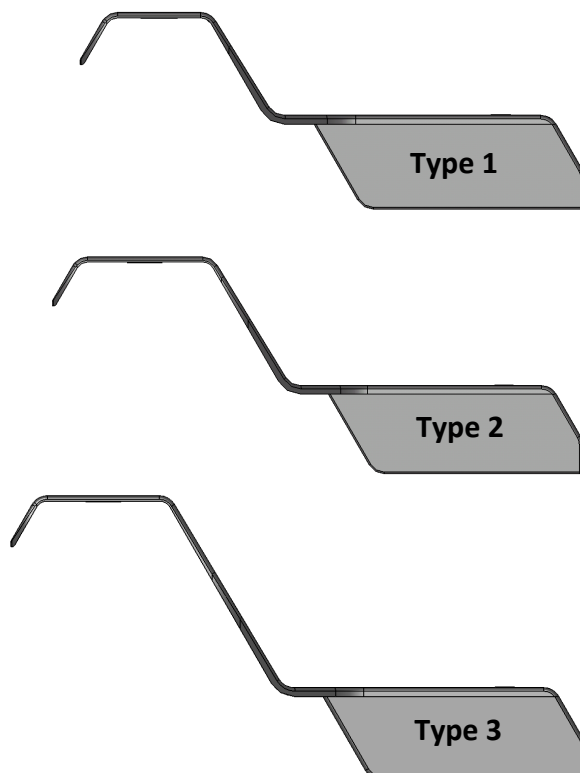
1. Specify metal roofing profile. (see table)
2. Specify effective cover\* of translucent roofing.



3. Specify quantity of bars required.



Metal Roofing Profile	Spanquip™ Type
Plumdek	1
Ribline 800	1
Ribline 960	1
Styleline	1
Trimline	1
Trimrib (S/V)	1
Veedek	1
V-Rib	1
BB900	2
Multirib	2
ST900	2
Maxispan	3
Multispan	3
Steelspan 900	3



MID-SPAN SUPPORT BARS

For a list of suppliers and more information please visit:

[www.roofquip.co.nz](http://www.roofquip.co.nz)

or phone: 03 579 5086